



ශ්‍රී ලංකා ප්‍රජාතාන්ත්‍රික සමාජවාදී ජනරජයේ ගැසට් පත්‍රය  
අති විශේෂ

**The Gazette of the Democratic Socialist Republic of Sri Lanka**  
**EXTRAORDINARY**

අංක 2177/3 - 2020 මැයි මස 26 වැනි අඟහරුවාදා - 2020.05.26  
No. 2177/3 - TUESDAY, MAY 26, 2020

(Published by Authority)

**PART I : SECTION (I) — GENERAL**  
**Government Notifications**

L.D.B. 8/2007(II)

**SRI LANKA SUSTAINABLE ENERGY AUTHORITY ACT, NO. 35 OF 2007**

REGULATIONS made by the Minister of Power & Energy under Section 67 of the Sri Lanka Sustainable Energy Authority Act, No. 35 of 2007, read with paragraphs (d) and (e) of Subsection (2) of Section 36, of that Act.

MAHINDA AMARAWEEERA,  
Minister of Power & Energy.

Colombo,  
23rd Decemer, 2019.

**Regulations**

1. These Regulations may be cited as “the Energy Performance Standards of Appliances (Light Emitting Diode (LED) Lamps) Regulations No. 2 of 2019.”
2. No person shall import or manufacture in Sri Lanka, any LED lamp which fails to conform to the energy performance standards specified in Sri Lanka Standards (SLS) 1530:2016 approved by Sri Lanka Standards Institution and morefully described in the Schedule I hereto.



3. Every person who imports or manufactures in Sri Lanka any LED lamp which conforms to the standards specified in regulation 2 and morefully described in Schedule I hereto, shall be required to have a Minimum Energy Performance (MEP) label conforming with the format, dimensions and the size as specified in SLS 1530:2016 and morefully described in Schedule II hereto, affixed to the cover, wrapper or the box in which the product is contained.
4. For the purpose of ensuring conformity with the energy performance standards specified as SLS 1530:2016 by the Sri Lanka Standards Institution, the Authority shall have the power to require any importer or manufacturer of any LED Lamp to submit a certificate issued by the Sri Lanka Standards Institution, certifying that any LED Lamp being imported or manufactured, as the case may be, by such importer or manufacturer, conforms to the Sri Lanka Standards specified in SLS 1530:2016. Such certificate shall be admissible in evidence and be accepted as *prime facie* proof of the facts contained therein.
5. No person shall store, display, sell either wholesale or retail, offer for sale or distribute any LED lamp, whether imported into Sri Lanka or manufactured in Sri Lanka, with an energy label which fails to conform to the requirements imposed by regulation 3 of these regulations, affixed to the cover or to the wrapper or to the box in which the product is contained.
6. In these Regulations :-

“Act” means the Sri Lanka Sustainable Energy Authority Act, No. 35 of 2007 ;

“Authority” means the Sri Lanka Sustainable Energy Authority established by section 2 of the Sri Lanka Sustainable Energy Authority Act, No. 35 of 2007 ; and

“Sri Lanka Standards Institution” means the Sri Lanka Standards Institution established by the Sri Lanka Standards Institution Act, No. 6 of 1984.

**SCHEDULE 1**

(Regulations 2, 3, 4)

Any LED Lamp specified under the 'Scope' of the Sri Lanka Standard specified as SLS 1530:2016.

**SCHEDULE 2**

(Regulation 3)

Figure 1: Minimum Energy Performance (MEP) Label

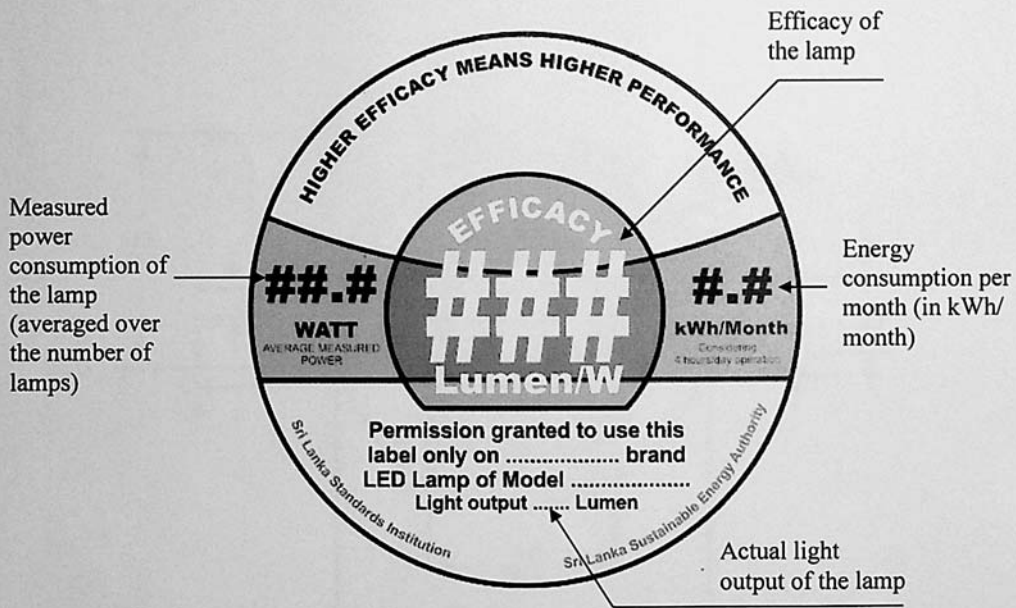


Figure 2: Actual size of the label

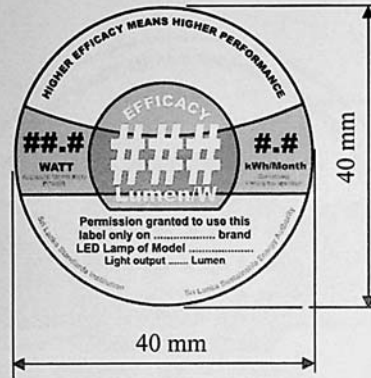
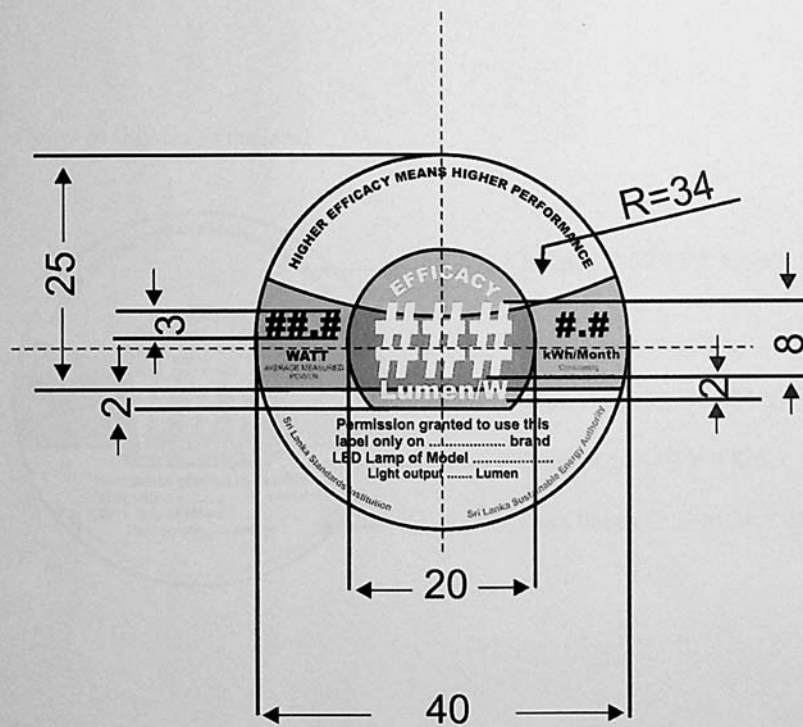


Figure 3: Dimensions of the label



**All dimensions in millimeters**

Figure 4: Character sizes of the label

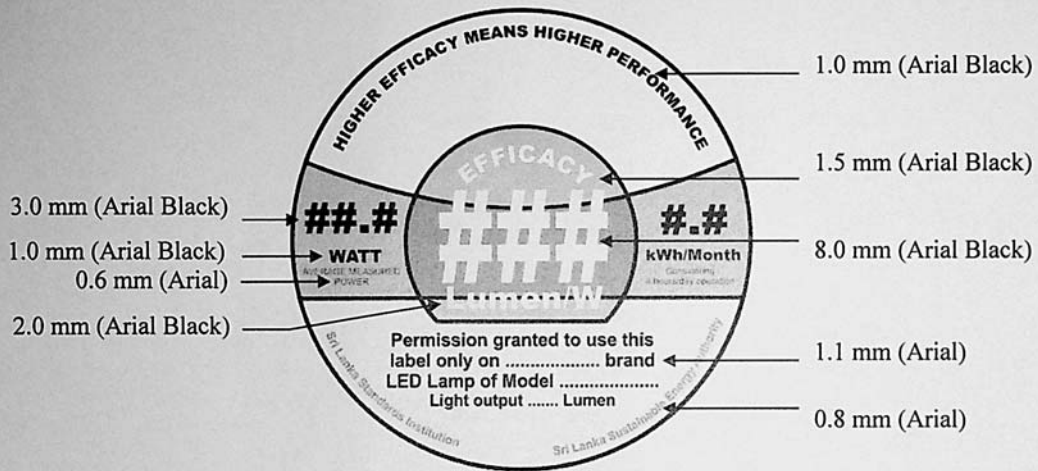


Figure 5: Colours of the label

